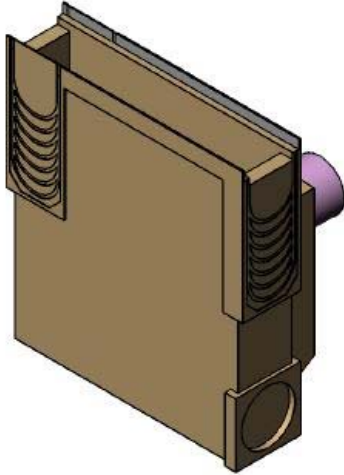
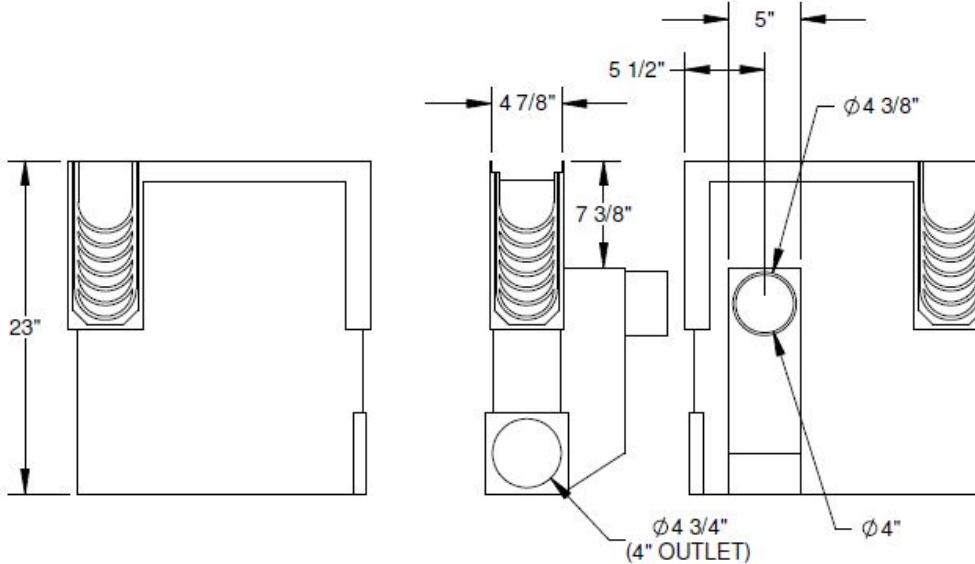
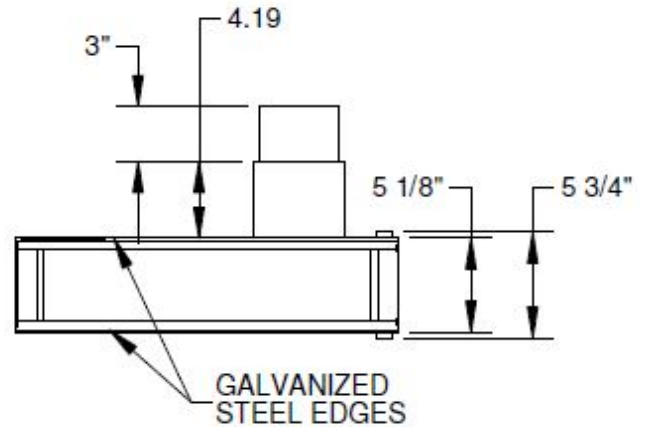


<p>Number</p> <p style="text-align: center;">155489</p>	<p>Series</p> <p style="text-align: center;">CPS504 J1000-EK QG15 Silt Box 155489</p>
---	---



ALL Dimensions the same Except Side trap is 6" Wide



Manufacturer



Specification

MEA-JOSAM J1000.EK SERIES POLYMER CONCRETE CATCH BASIN WITH GALVANIZED STEEL EDGE PROTECTION, INTEGRAL SIDE TRAP, AND SEDIMENT BUCKET. SUPPLIED BY TRENCH DRAIN SUPPLY.

DISCLAIMER - The customer and the customer's architects, engineers, consultants, and other professionals are completely responsible for the selection installation and maintenance of any product purchased from Trench Drain Supply and/or its manufacturers. TRENCH DRAIN SUPPLY MAKES NO WARRANTY, EXPRESS OR IMPLIED, AS TO THE SUITABILITY, DESIGN, MERCHANTABILITY, OR FITNESS OF THE PRODUCT FOR CUSTOMERS APPLICATION. The drawing and information provided remain the property and copyright of the manufacturer listed. The manufacturer reserves the right to modify specification without notice.